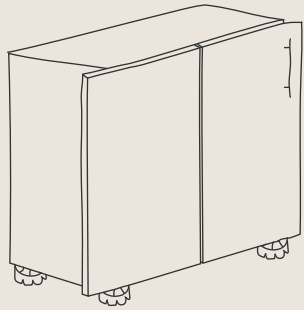


1000mm blind corner base cabinet

assembly instructions



equipment required

- Cordless drill
- Drill bits:
No 2 screw tip, 4mm bit, No 12 countersinking bit
- 65mm wood screw
- Wall fixing (only if fixing cabinet to wall)
- Tape measure
- Adjustable square
- Spirit level
- Quick release clamps
- Pencil
- Safety gear:
Safety glasses, ear muffs, dust mask

important tips

- Plumbing and electrical work must be carried out by a licenced trades person.
- Assemble on a soft surface to ensure the cabinetry doesn't get scratched.
- Wear appropriate safety gear during assembly.
- To securely mount the cabinets on a stud wall, use at least 8-gauge screws that are 65mm in length. However, if your wall is made of concrete, brick, or a different material, consult with an expert to determine the appropriate fastening method.
- Remove any protective wrapping before getting started

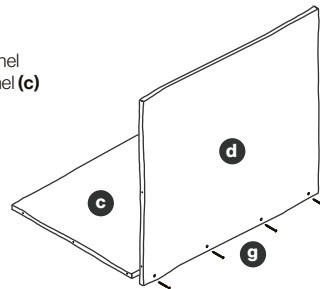
included materials



step 1 cabinet assembly

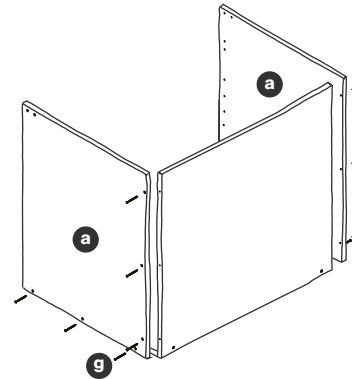
1

Attach the back panel (d) and bottom panel (c) using 50mm wood screws (g).



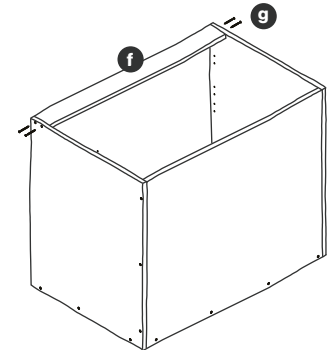
2

Attach the two side panels (a) to the back and bottom panels using 50mm wood screws (g).



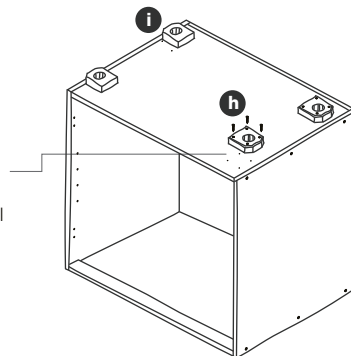
3

Attach the support rail (f) using 50mm wood screws (g).



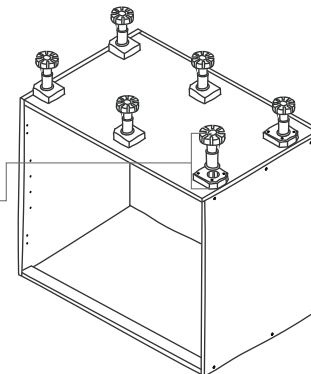
4

Locate the 2 groups of pre-drilled holes on the bottom panel & attach all adjustable leg plates (i) using 28mm wood screws (h).



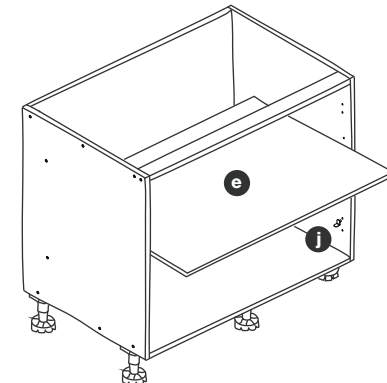
5

Attach both legs (h) to the plates and adjust the height of the legs to 145mm.



6

a. Turn your cabinet upright and insert the 4 plastic shelf supports (j) at your desired shelf height.
b. Slide the shelf (e) into position, resting on the supports.

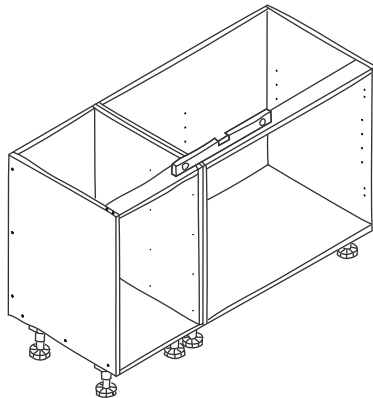


step 2

joining the cabinets

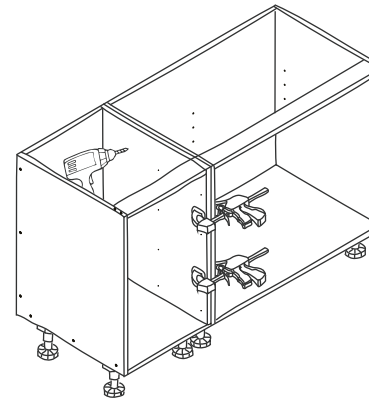
1

Check your cabinets are level.



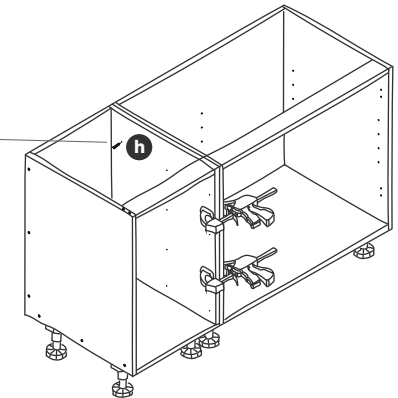
2

Clamp cabinets using quick release clamps. Once secured, pre-drill screw holes.



3

Attach the cabinets together using using 28mm wood screws (h).



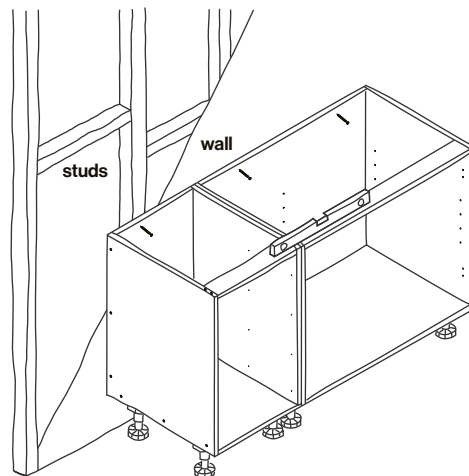
step 3

securing cabinets to wall

1

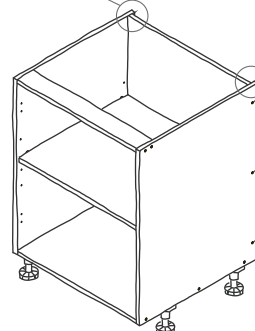
Check again that all of your cabinets are level. If you have a plasterboard wall, attach cabinets using timber screws that are at least 65mm in length. Ensure each screw is inserted through a timber stud.

If your walls are made of another material eg, brick, concrete, steel etc, obtain professional advice on the best way to safely attach your cabinets.



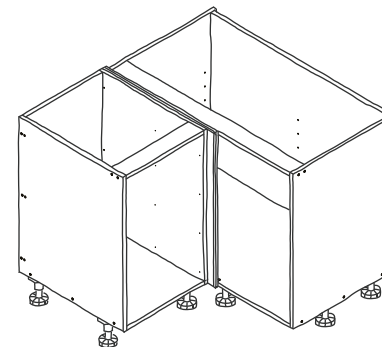
!

This cabinet can be constructed with a **16mm rebate**. The panels can be cut to adapt to uneven walls.

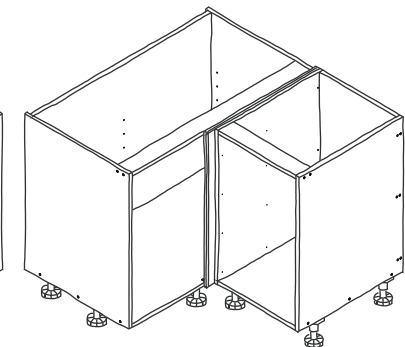


configurations

1



2

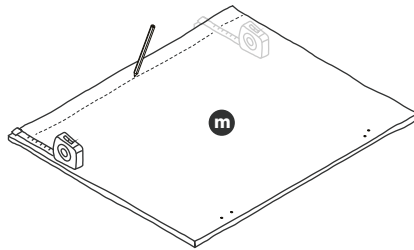


step 5 attaching the panel

1

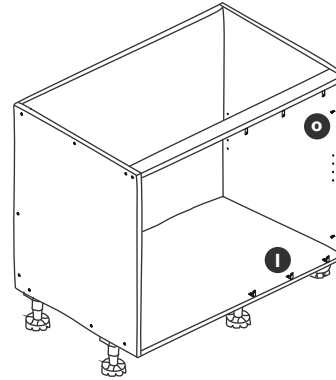
Start on the side of the panel that is opposite to the lugs. Measure and mark a line the entire length of that side, 66mm in from the edge.

Note: This measurement is for a 450mm door. If your door is a different size, adapt to suit.



2

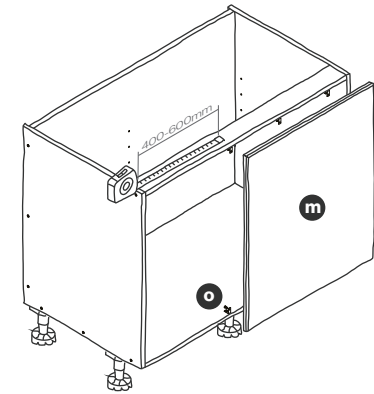
Attach the 90° angle brackets (l), with 14mm wood screws (o), to the side of the cabinet that the panel will be attached to.



3

Ensure the marked line on the panel is even with the cabinet side. Attach the panel (m) using 14mm wood screws (o).

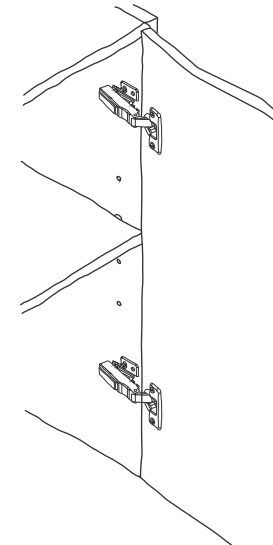
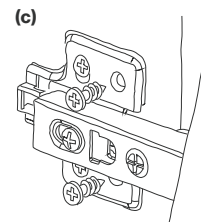
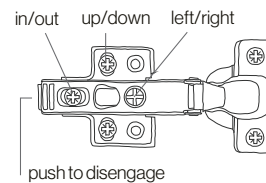
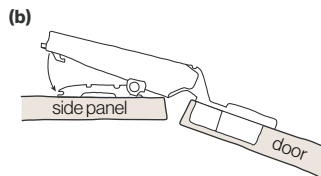
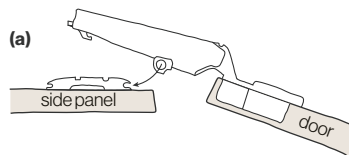
Note: This measurement is for a 450mm door. If your door is a different size, leave the appropriate room to fit.



step 6 attaching the door

1

- Clip the hinge plates onto the door panel
- Push down to clip hinge together securely
- Adjust the screws to align the doors and add extra screws once door is positioned correctly.



important information regarding handles

Certain types of handles may come into contact with each other when doors are open, potentially stopping the full opening of cabinet doors.

Prior to installation, test your chosen handles, and if interference occurs, you must either adjust their positions, opt for different handles, or install push-to-open mechanisms that eliminate the need for handles.

Alternatively, you can shift the entire blind corner cabinet away from the wall by 50mm*. This adjustment ensures that the blind corner panel extends 90mm beyond the adjoining cabinet, creating ample space for the handles to open, without the gap being visible once the benchtop is in place.