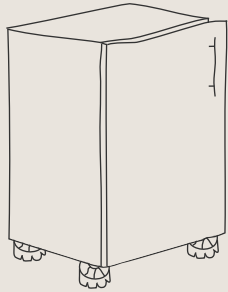


# 450mm base cabinet



## equipment required

- **Cordless drill**
- **Drill bits:**  
No 2 screw tip, 4mm bit, No 12 countersinking bit
- **65mm wood screw**
- **Wall fixing** (only if fixing cabinet to wall)
- **Tape measure**
- **Adjustable square**
- **Spirit level**
- **Quick release clamps**
- **Pencil**
- **Safety gear:**  
Safety glasses, ear muffs, dust mask

## important tips

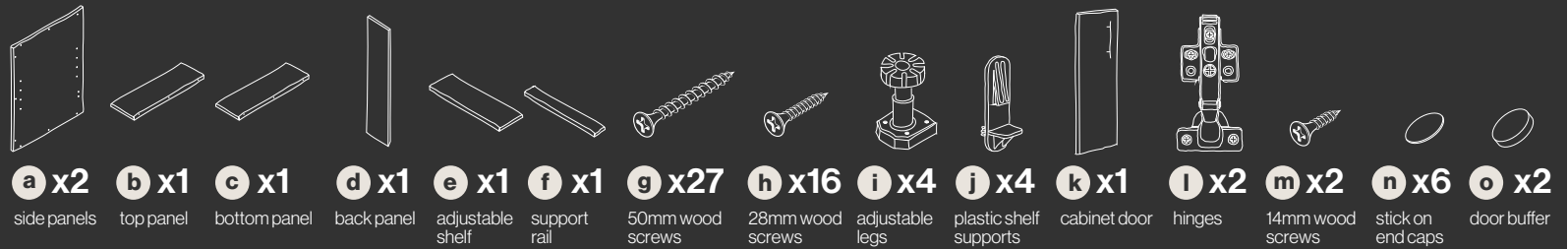
- Plumbing and electrical work must be carried out by a licenced trades person.
- Assemble on a soft surface to ensure the cabinetry doesn't get scratched.
- Wear appropriate safety gear during assembly.
- To securely mount the cabinets on a stud wall, use at least 8-gauge screws that are 65mm in length. However, if your wall is made of concrete, brick, or a different material, consult with an expert to determine the appropriate fastening method.
- Remove any protective wrapping before getting started

**trendstyle**

www.trendstyle.com.au

# assembly instructions

## included materials

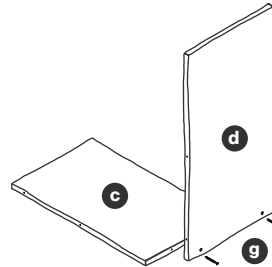


## step 1

## cabinet assembly

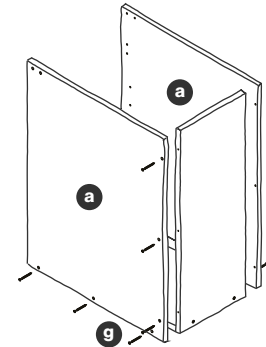
**1**

Attach the back panel (d) and bottom panel (c) using 50mm wood screws (g).



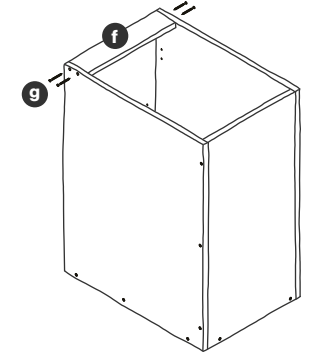
**2**

Attach the two side panels (a) to the back and bottom panels using 50mm wood screws (g).



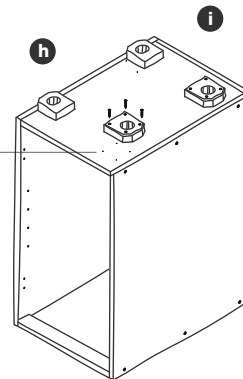
**3**

Attach the support rail (f) using 50mm wood screws (g).



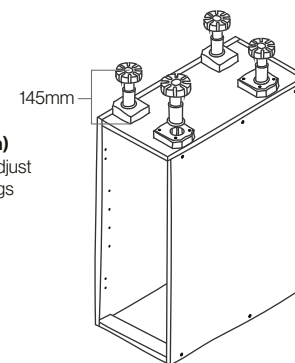
**4**

Locate the 2 groups of pre-drilled holes on the bottom panel & attach all adjustable leg plates (i) using 28mm wood screws (h).



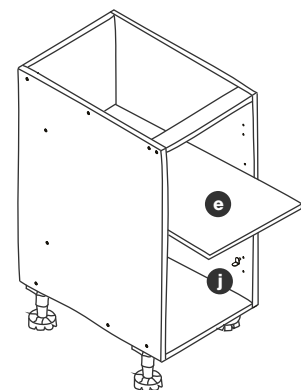
**5**

Attach both legs (h) to the plates and adjust the height of the legs to 145mm.



**6**

- Turn your cabinet upright and insert the 4 plastic shelf supports (j) at your desired shelf height.
- Slide the shelf (e) into position, resting on the supports.

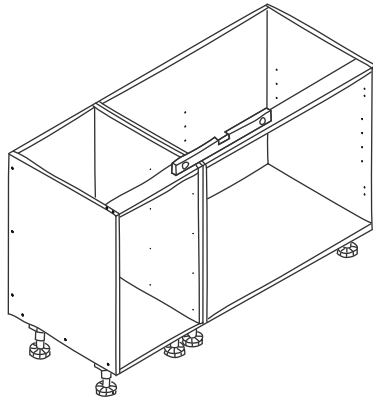


## step 2

### joining the cabinets

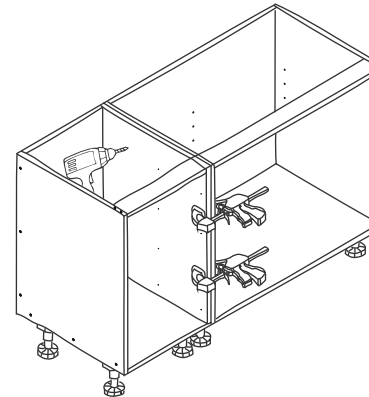
1

Check your cabinets are level.



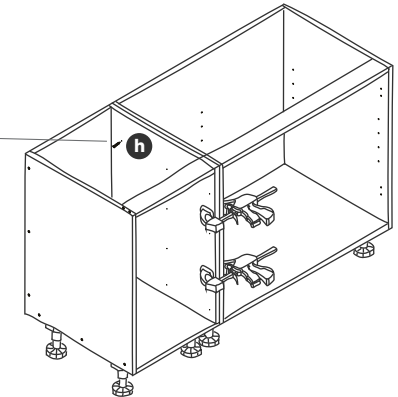
2

Clamp cabinets using quick release clamps. Once secured, pre-drill screw holes.



3

Attach the cabinets together using using 28mm wood screws (h).



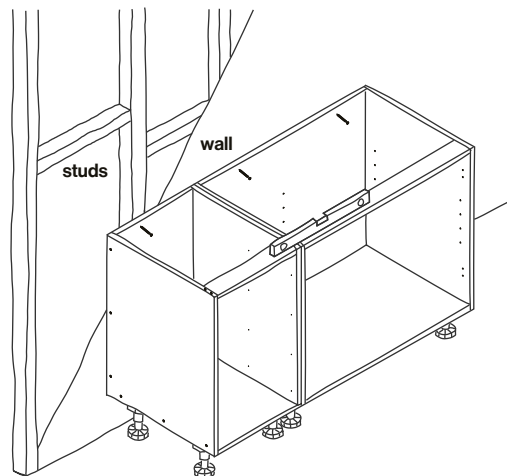
## step 3

### securing cabinets to wall

1

Check again that all of your cabinets are level. If you have a plasterboard wall, attach cabinets using timber screws that are at least 65mm in length. Ensure each screw is inserted through a timber stud.

If your walls are made of another material eg, brick, concrete, steel etc, obtain professional advice on the best way to safely attach your cabinets.



## step 4

### attaching the door

1

- Clip the hinge plates onto the door panel
- Push down to clip hinge together securely
- Adjust the screws to align the doors and add extra screws once door is positioned correctly.

