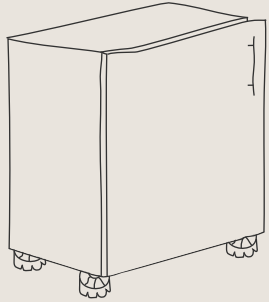


# 600mm base cabinet

## assembly instructions



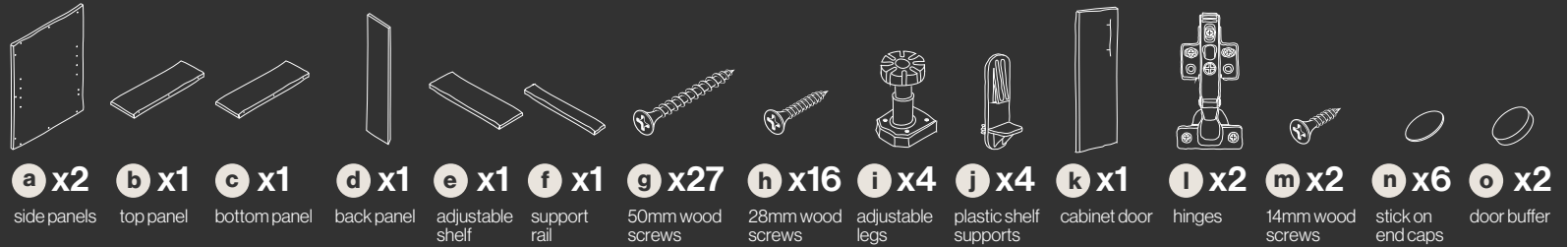
### equipment required

- Cordless drill
- Drill bits:  
No 2 screw tip, 4mm bit, No 12 countersinking bit
- 65mm wood screw
- Wall fixing (only if fixing cabinet to wall)
- Tape measure
- Adjustable square
- Spirit level
- Quick release clamps
- Pencil
- Safety gear:  
Safety glasses, ear muffs, dust mask

### important tips

- Plumbing and electrical work must be carried out by a licenced trades person.
- Assemble on a soft surface to ensure the cabinetry doesn't get scratched.
- Wear appropriate safety gear during assembly.
- To securely mount the cabinets on a stud wall, use at least 8-gauge screws that are 65mm in length. However, if your wall is made of concrete, brick, or a different material, consult with an expert to determine the appropriate fastening method.
- Remove any protective wrapping before getting started

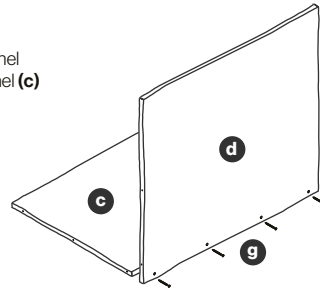
### included materials



### step 1 cabinet assembly

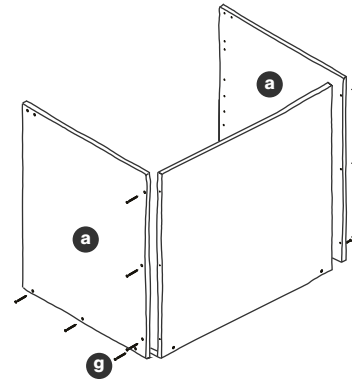
1

Attach the back panel (**d**) and bottom panel (**c**) using 50mm wood screws (**g**).



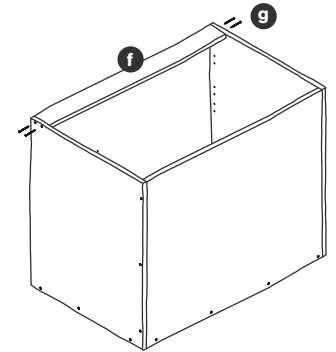
2

Attach the two side panels (**a**) to the back and bottom panels using 50mm wood screws (**g**).



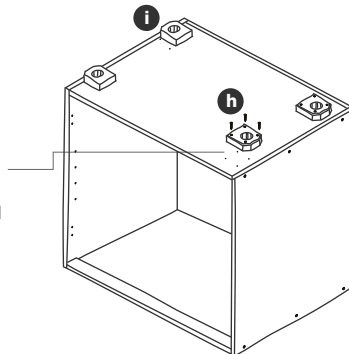
3

Attach the support rail (**f**) using 50mm wood screws (**g**).



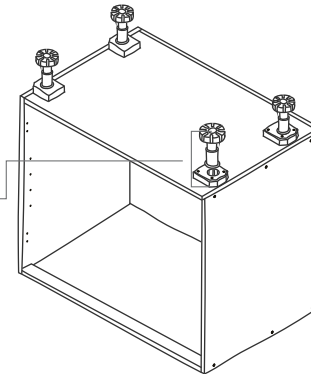
4

Locate the 2 groups of pre-drilled holes on the bottom panel & attach all adjustable leg plates (**i**) using 28mm wood screws (**h**).



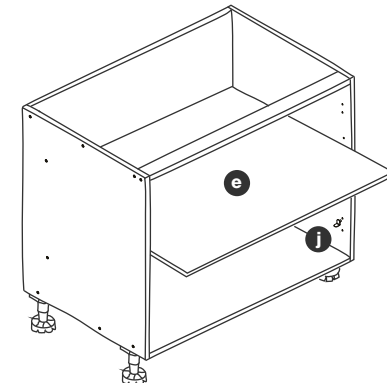
5

Attach both legs (**h**) to the plates and adjust the height of the legs to 145mm.



6

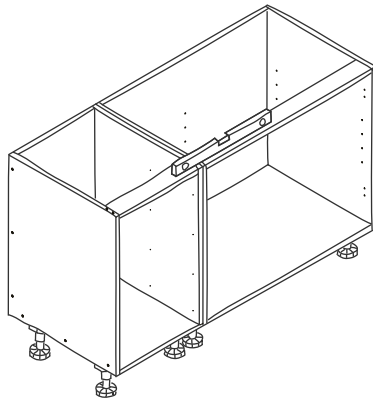
a. Turn your cabinet upright and insert the 4 plastic shelf supports (**j**) at your desired shelf height.  
b. Slide the shelf (**e**) into position, resting on the supports.



## step 2 joining the cabinets

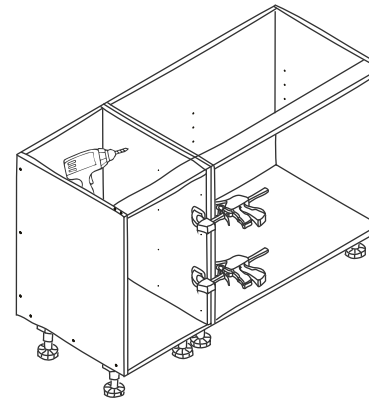
**1**

Check your cabinets are level.



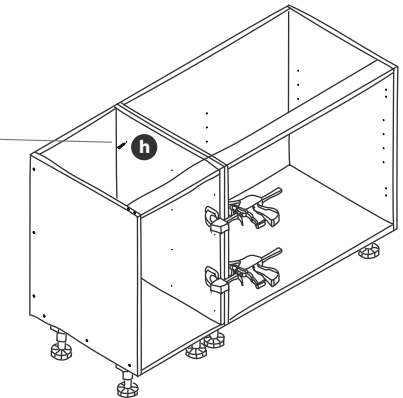
**2**

Clamp cabinets using quick release clamps. Once secured, pre-drill screw holes.



**3**

Attach the cabinets together using using 28mm wood screws (h).

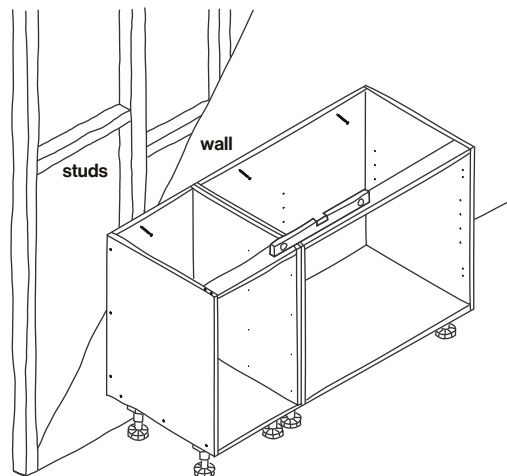


## step 3 securing cabinets to wall

**1**

Check again that all of your cabinets are level. If you have a plasterboard wall, attach cabinets using timber screws that are at least 65mm in length. Ensure each screw is inserted through a timber stud.

If your walls are made of another material eg, brick, concrete, steel etc, obtain professional advice on the best way to safely attach your cabinets.



## step 4 attaching the door

**1**

- Clip the hinge plates onto the door panel
- Push down to clip hinge together securely
- Adjust the screws to align the doors and add extra screws once door is positioned correctly.

