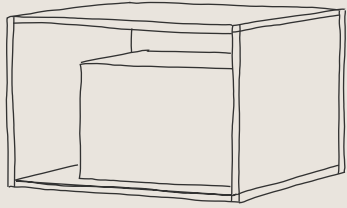


600mm microwave box



equipment required

- **Cordless drill**
- **Drill bits:**
No 2 screw tip, 4mm bit, No 12 countersinking bit
- **65mm wood screw**
- **Wall fixing** (only if fixing cabinet to wall)
- **Tape measure**
- **Adjustable square**
- **Spirit level**
- **Quick release clamps**
- **Pencil**
- **Safety gear:**
Safety glasses, ear muffs, dust mask

important tips

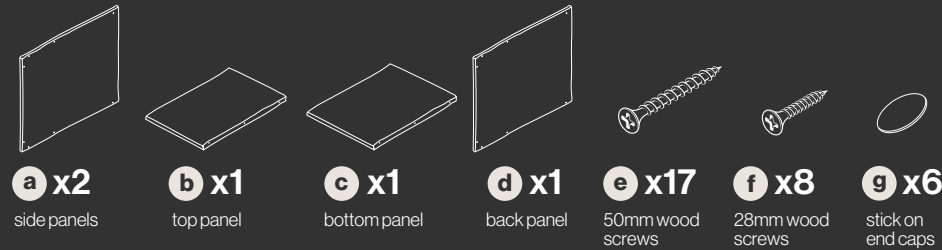
- Plumbing and electrical work must be carried out by a licenced trades person.
- Assemble on a soft surface to ensure the cabinetry doesn't get scratched.
- Wear appropriate safety gear during assembly.
- To securely mount the cabinets on a stud wall, use at least 8-gauge screws that are 65mm in length. However, if your wall is made of concrete, brick, or a different material, consult with an expert to determine the appropriate fastening method.
- Remove any protective wrapping before getting started

trendstyle

www.trendstyle.com.au

assembly instructions

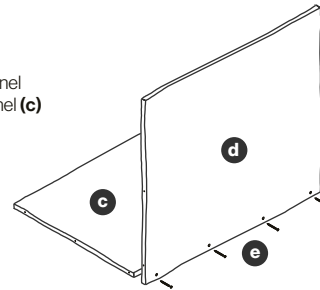
included materials



step 1 cabinet assembly

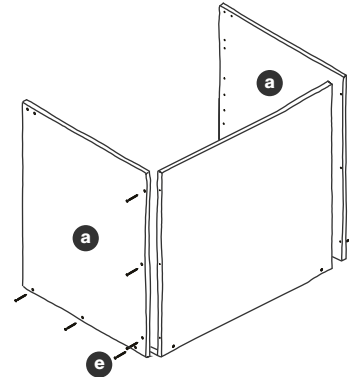
1

Attach the back panel (**d**) and bottom panel (**c**) using 50mm wood screws (**e**).



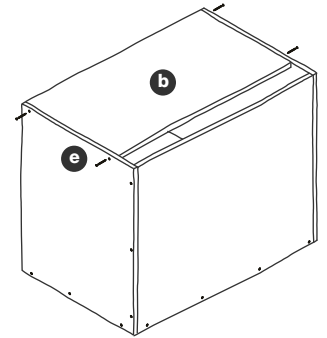
2

Attach the two side panels (**a**) to the back and bottom panels using 50mm wood screws (**e**).



3

Attach the top panel (**b**) using 50mm wood screws (**e**).
The Microwave box is now complete.

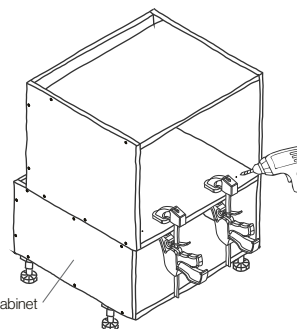


step 2 underbench microwave

1

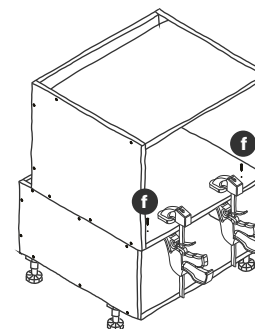
Note: This step requires a 600mm 1 drawer cabinet.
Clamp cabinets using quick release clamps. Once secured, pre-drill screw holes.

600mm 1 drawer cabinet



2

Attach the cabinets together using 28mm wood screws (**f**).



! care instructions

Your Trendstyle cabinets are crafted from high-quality materials to ensure longevity, provided that proper care and maintenance are observed.

When cleaning your cabinets, it is essential to use a non-abrasive cleaner and avoid materials such as steel wool or abrasive items that may cause scratches and damage. Harsh chemicals or thinner-based products should be avoided as they can harm the melamine surfaces.

While our cabinets are resistant to water, they are not completely waterproof, so it's important to use only damp cleaning cloths, avoiding saturation. Promptly address any large spills of water that may occur. We have a dedicated customer service line available to provide assistance and answer any inquiries you may have regarding our products.

(08) 9390 4638
customer.service@trendstyle.com.au