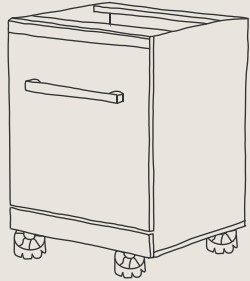


600mm oven cabinet



equipment required

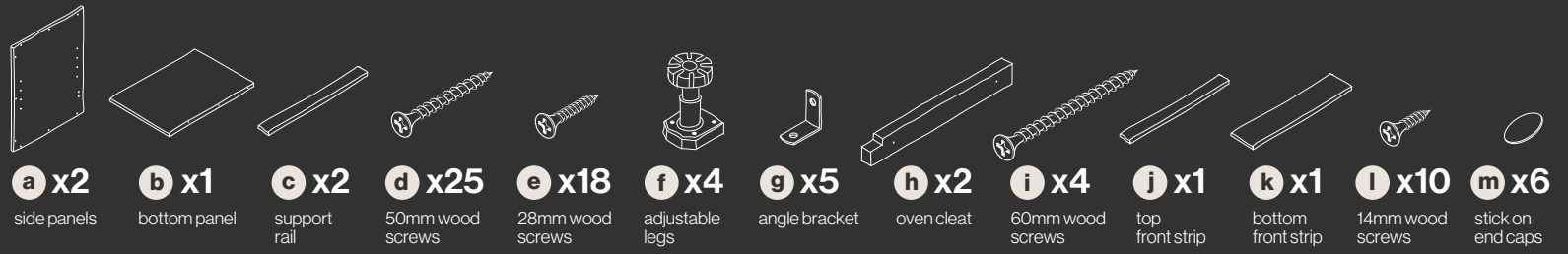
- **Cordless drill**
- **Drill bits:**
No 2 screw tip, 4mm bit, No 12 countersinking bit
- **65mm wood screw**
- **Wall fixing** (only if fixing cabinet to wall)
- **Tape measure**
- **Adjustable square**
- **Spirit level**
- **Quick release clamps**
- **Pencil**
- **Safety gear:**
Safety glasses, ear muffs, dust mask

important tips

- Plumbing and electrical work must be carried out by a licenced trades person.
- Assemble on a soft surface to ensure the cabinetry doesn't get scratched.
- Wear appropriate safety gear during assembly.
- To securely mount the cabinets on a stud wall, use at least 8-gauge screws that are 65mm in length. However, if your wall is made of concrete, brick, or a different material, consult with an expert to determine the appropriate fastening method.
- Remove any protective wrapping before getting started

assembly instructions

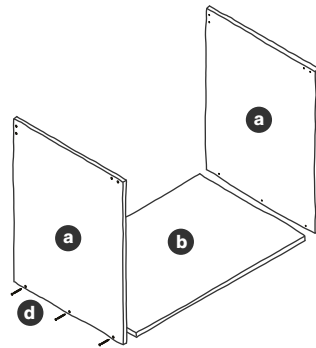
included materials



step 1 cabinet assembly

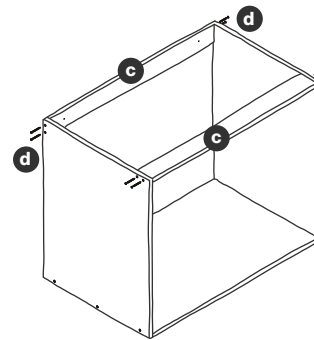
1

Attach the two side panels (a) to the bottom panel (b) using 50mm wood screws (d).



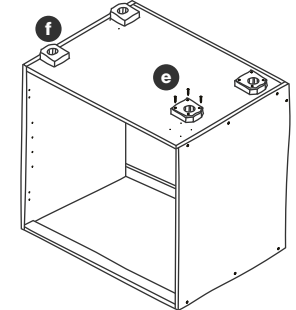
2

Attach the two support rails (c) to the top of the side panels (a) using 50mm wood screws (d).



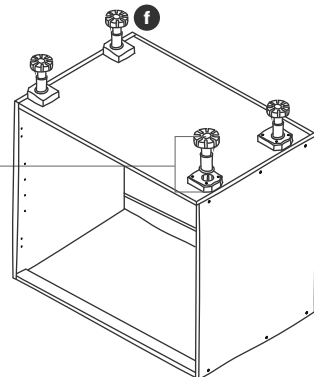
3

Locate the 2 groups of pre-drilled holes on the bottom panel & attach all adjustable leg plates (f) using 28mm wood screws (e).



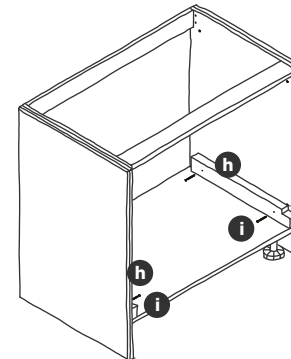
4

Attach legs (f) to the plates and adjust the height of the legs to 145mm.



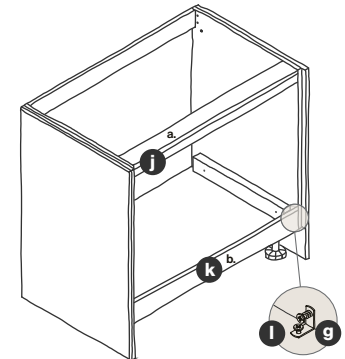
5

Attach both oven cleats (h) to the sides, using 60mm wood screws (i).
Note: Make sure the cleats are attached in line with the front of the cabinet



6

a. Attach the thinner top front strip (j) to the top of the cabinet, securing with the angle bracket (g) and 14mm wood screws (l) (as shown).
b. Attach the wider bottom front strip, securing as per steps above.

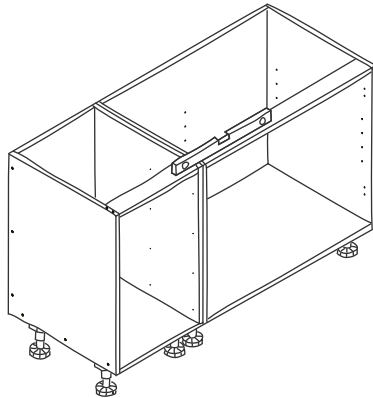


step 2

joining the cabinets

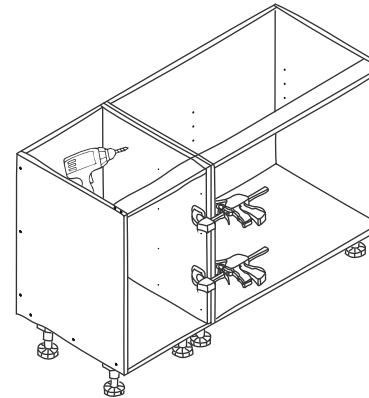
1

Check your cabinets are level.



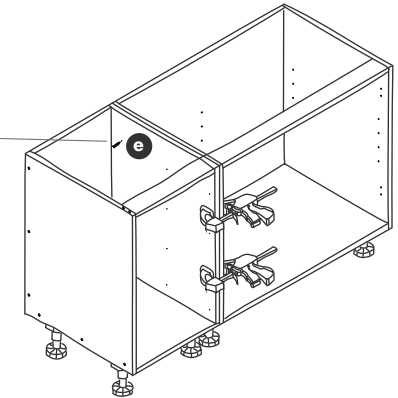
2

Clamp cabinets using quick release clamps. Once secured, pre-drill screw holes.



3

Attach the cabinets together using using 28mm wood screws (e).



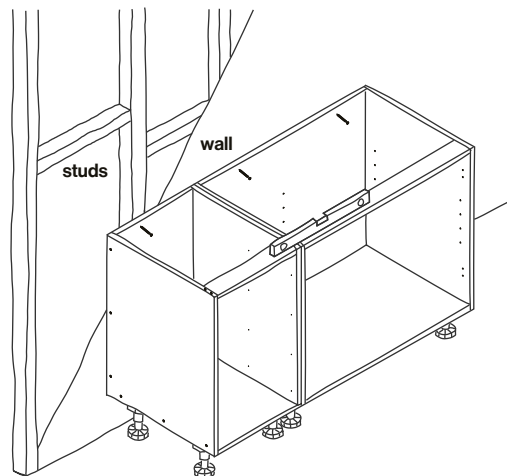
step 3

securing cabinets to wall

1

Check again that all of your cabinets are level. If you have a plasterboard wall, attach cabinets using timber screws that are at least 65mm in length. Ensure each screw is inserted through a timber stud.

If your walls are made of another material eg, brick, concrete, steel etc, obtain professional advice on the best way to safely attach your cabinets.



! care instructions

Your Trendstyle cabinets are crafted from high-quality materials to ensure longevity, provided that proper care and maintenance are observed.

When cleaning your cabinets, it is essential to use a non-abrasive cleaner and avoid materials such as steel wool or abrasive items that may cause scratches and damage. Harsh chemicals or thinner-based products should be avoided as they can harm the melamine surfaces.

While our cabinets are resistant to water, they are not completely waterproof, so it's important to use only damp cleaning cloths, avoiding saturation. Promptly address any large spills of water that may occur. We have a dedicated customer service line available to provide assistance and answer any inquiries you may have regarding our products.