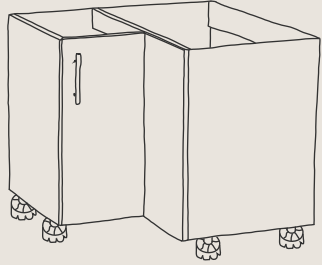


900mm corner base cabinet



equipment required

- Cordless drill
- Drill bits:
No 2 screw tip, 4mm bit, No 12 countersinking bit
- 65mm wood screw
- Wall fixing (only if fixing cabinet to wall)
- Tape measure
- Adjustable square
- Spirit level
- Quick release clamps
- Pencil
- Safety gear:
Safety glasses, ear muffs, dust mask

important tips

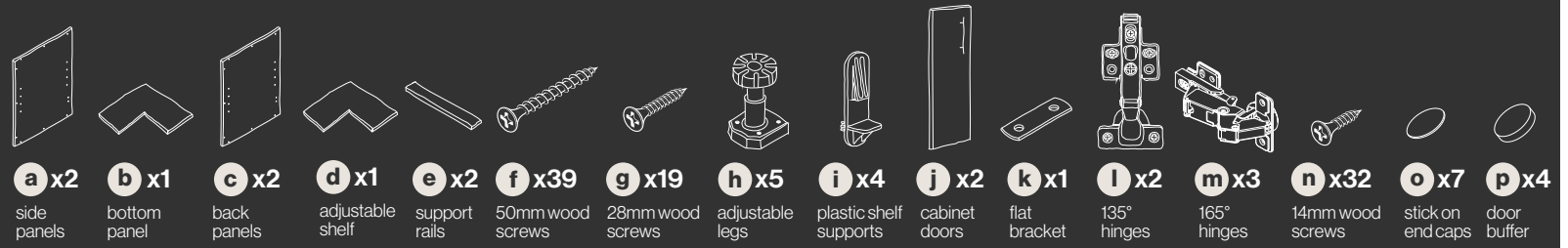
- Plumbing and electrical work must be carried out by a licenced trades person.
- Assemble on a soft surface to ensure the cabinetry doesn't get scratched.
- Wear appropriate safety gear during assembly.
- To securely mount the cabinets on a stud wall, use at least 8-gauge screws that are 65mm in length. However, if your wall is made of concrete, brick, or a different material, consult with an expert to determine the appropriate fastening method.
- Remove any protective wrapping before getting started

trendstyle

www.trendstyle.com.au

assembly instructions

included materials

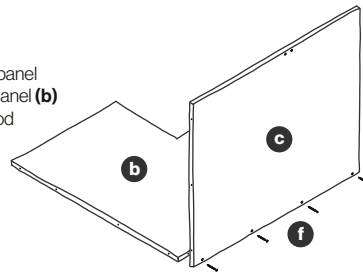


step 1

cabinet assembly

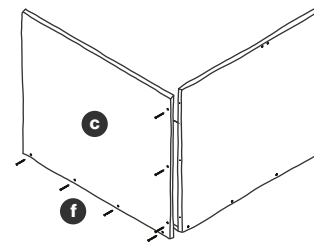
1

Attach the back panel (c) and bottom panel (b) using 50mm wood screws (f).



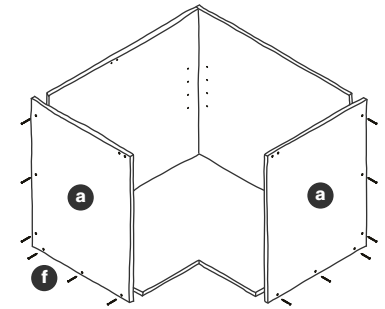
2

Attach the additional back panel (c) to the back and bottom panels using 50mm wood screws (f).



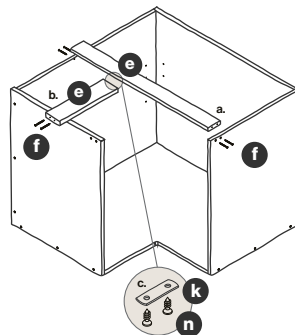
3

Attach the 2 side panels (a) using 50mm wood screws (f).



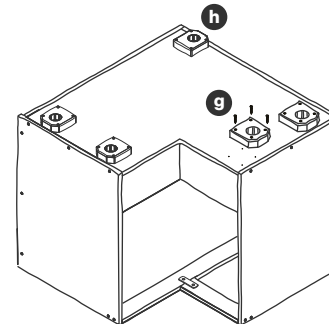
4

- Attach the longest support rail (e) first using 50mm wood screws (f)
- Once the first support rail is secured, attach the shorter rail (e), to the side panel using 50mm wood screws (f).
- Secure both rails underneath with the flat bracket (k) using 14mm wood screws (n).



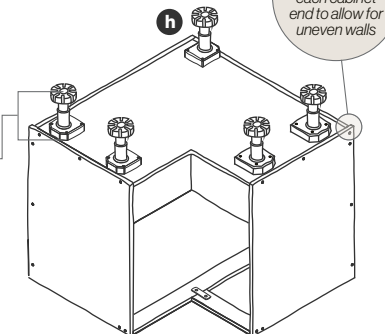
5

Locate the 2 groups of pre-drilled holes on the bottom panel & attach all adjustable leg plates (h) using 28mm wood screws (g).



6

Attach all legs (h) to the plates and adjust the height of the legs to 145mm.

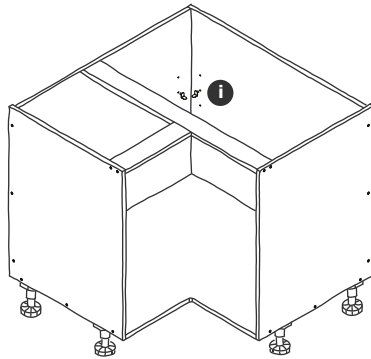


Note: there is overhang on each cabinet end to allow for uneven walls

step 2 installing the shelf

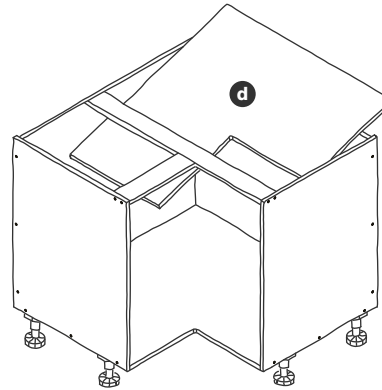
1

Turn your cabinet upright and insert the plastic shelf supports (i) at your desired shelf height.



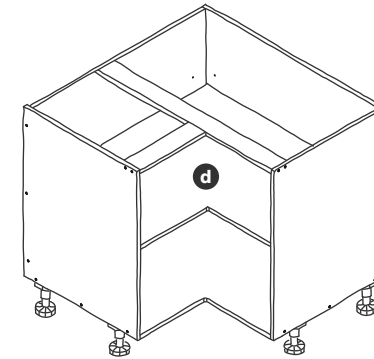
2

Slide the shelf (d) in carefully under the support rails.



3

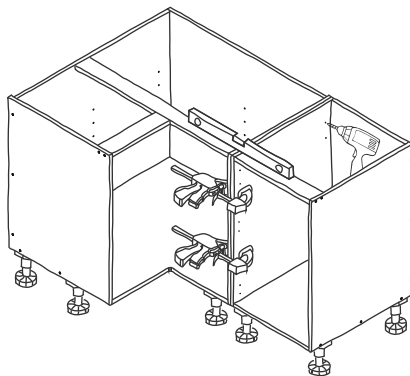
Adjust the shelf (d) into position, resting on the supports.



step 3 joining the cabinets

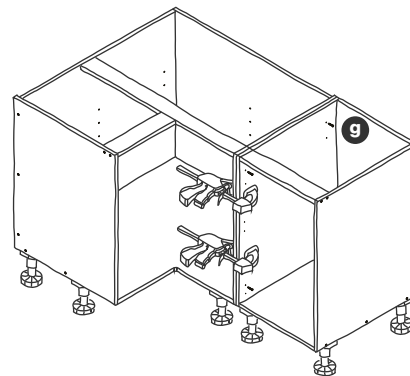
1

- a. Check your cabinets are level.
- b. Clamp cabinets using quick release clamps. Once secured, pre-drill screw holes.



2

Attach the cabinets together using using 28mm wood screws (g).

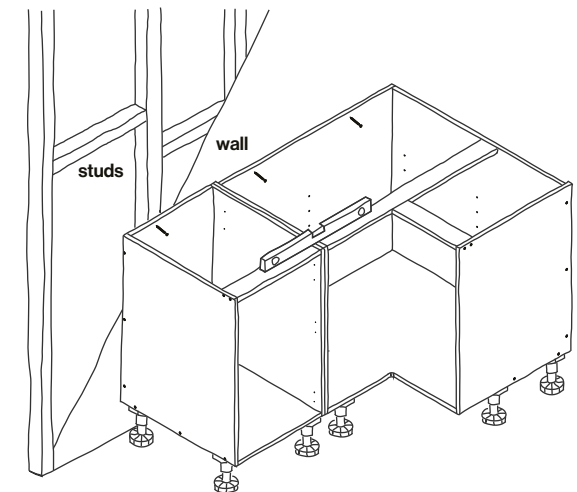


step 4 securing cabinets to wall

1

Check again that all of your cabinets are level. If you have a plasterboard wall, attach cabinets using timber screws that are at least 65mm in length. Ensure each screw is inserted through a timber stud.

If your walls are made of another material eg. brick, concrete, steel etc, obtain professional advice on the best way to safely attach your cabinets.

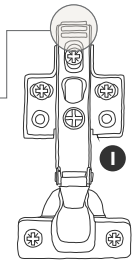


step 5

attaching the corner cabinet hinges and doors

1

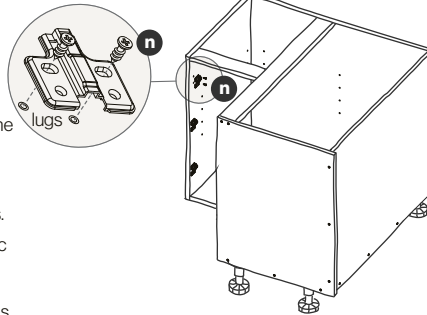
Push on the release tab to remove the hinge from the 135° hinge plate (l).



2

Attach the hinge plate to the lugs in the cabinet, securing with 14mm wood screws (n) through the elongated holes.

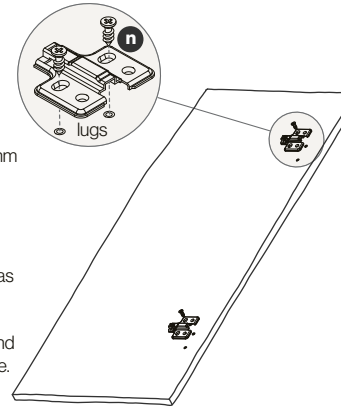
Note: Ensure plastic lugs are in the pre-drilled holes before you begin this step and the next.



3

Attach the hinge plate to the door, securing with 14mm wood screws (n) ensuring they are screwed through the lugs.

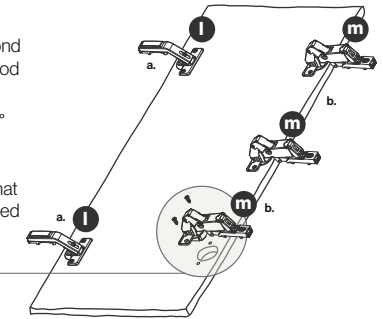
Once the hinge has been adjusted, secure 2 more screws in the round holes in each plate.



4

a. Attach the two 135° hinges (l) to the second door using 14mm wood screws (n).

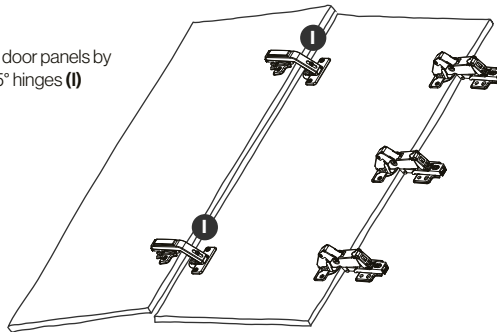
b. Secure the three 165° hinges (m) to the opposite side of the door panel. Ensure that the screws are inserted through the lugs.



step 5

5

Attach the two door panels by clipping the 135° hinges (l) together.



step 6

attaching the door

1

- Clip the hinge plates onto the door panel
- Push down to clip hinge together securely
- Adjust the screws to align the doors and add extra screws once door is positioned correctly.

