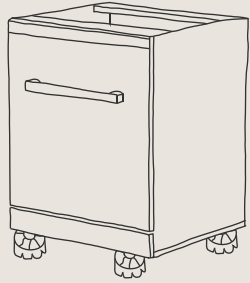


900mm oven cabinet



equipment required

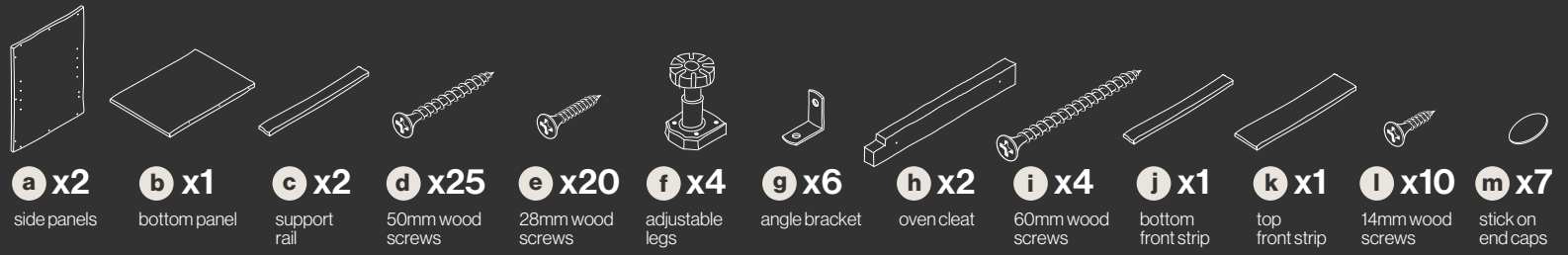
- **Cordless drill**
- **Drill bits:**
No 2 screw tip, 4mm bit, No 12 countersinking bit
- **65mm wood screw**
- **Wall fixing** (only if fixing cabinet to wall)
- **Tape measure**
- **Adjustable square**
- **Spirit level**
- **Quick release clamps**
- **Pencil**
- **Safety gear:**
Safety glasses, ear muffs, dust mask

important tips

- Plumbing and electrical work must be carried out by a licenced trades person.
- Assemble on a soft surface to ensure the cabinetry doesn't get scratched.
- Wear appropriate safety gear during assembly.
- To securely mount the cabinets on a stud wall, use at least 8-gauge screws that are 65mm in length. However, if your wall is made of concrete, brick, or a different material, consult with an expert to determine the appropriate fastening method.
- Remove any protective wrapping before getting started

assembly instructions

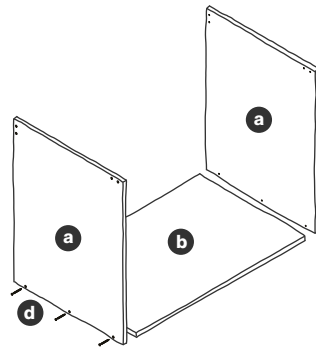
included materials



step 1 cabinet assembly

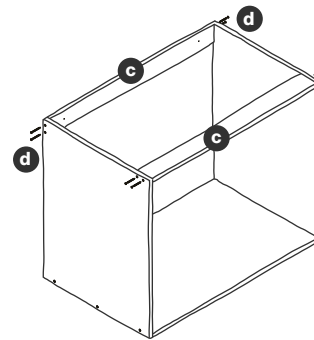
1

Attach the two side panels (a) to the bottom panel (b) using 50mm wood screws (d).



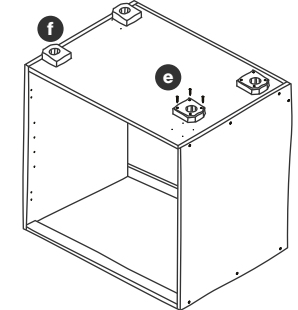
2

Attach the two support rails (c) to the top of the side panels (a) using 50mm wood screws (d).



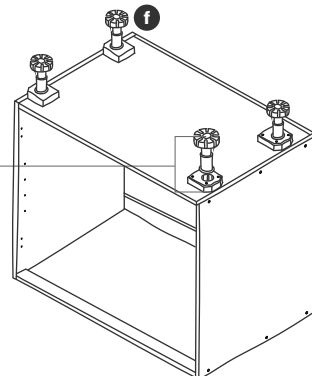
3

Locate the 2 groups of pre-drilled holes on the bottom panel & attach all adjustable leg plates (f) using 28mm wood screws (e).



4

Attach legs (f) to the plates and adjust the height of the legs to 145mm.



5

Attach both oven cleats (h) to the sides, using 60mm wood screws (i).

Note: Make sure the cleats are attached in line with the front of the cabinet

6

- Attach the wider top front strip (k) to the top of the cabinet, securing with the angle bracket (g) and 14mm wood screws (l) (as shown).
- Attach the thinner bottom strip (j), securing as per steps above.

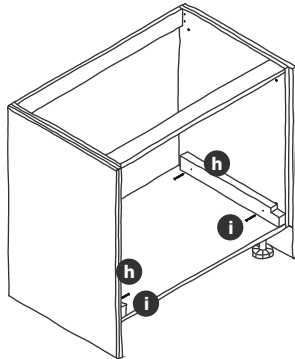
step 1

cabinet assembly *continued*

5

Attach both oven cleats (**h**) to the sides, using 60mm wood screws (**i**).

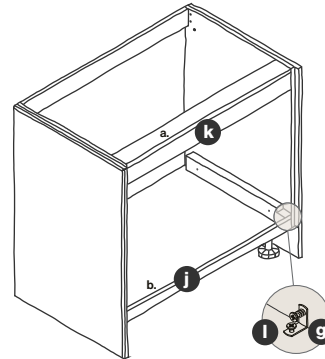
Note: Make sure the cleats are attached in line with the front of the cabinet.



6

a. Attach the wider top front strip (**k**) to the top of the cabinet, securing with the angle bracket (**g**) and 14mm wood screws (**l**) (as shown).

b. Attach the thinner bottom strip (**j**), securing as per steps above.

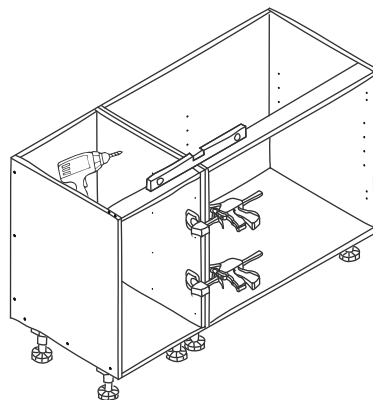


step 2

joining the cabinets

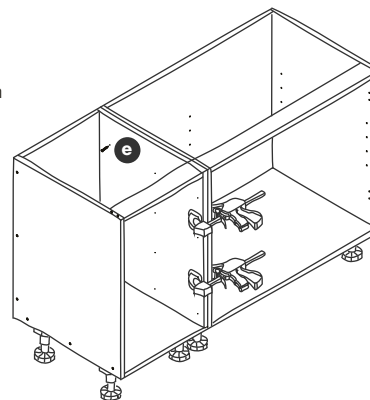
1

- Check your cabinets are level.
- Clamp cabinets using quick release clamps. Once secured, pre-drill screw holes.



2

Attach the cabinets together using using 28mm wood screws (**e**).



step 3

securing cabinets to wall

1

Check again that all of your cabinets are level. If you have a plasterboard wall, attach cabinets using timber screws that are at least 65mm in length. Ensure each screw is inserted through a timber stud.

If your walls are made of another material eg, brick, concrete, steel etc, obtain professional advice on the best way to safely attach your cabinets.

